



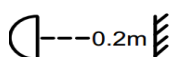
INSTALLATION INSTRUCTION

SLFLF15, SLFLF30, SLFLF50, SLFLF80, SLFLF100, SLFLF150, SLFLF220, SLFLF300

Specification

Item	Model	Input Voltage	Power Factor	Watt	Color Temperature	Output Lumen	Dimensions (mm)	Input Current	Weight
A	SLFLF15	100-240V AC	≥0.9	15W	5000K	1500LM	108*37*82	0.18A	0.62kg
B	SLFLF30	100-240V AC		30W	5000K	3000LM	171*40*130	0.35A	1.3kg
C	SLFLF50	100-240V AC		50W	5000K	5000LM	217*45*154	0.6A	1.9kg
D	SLFLF80	100-240V AC		80W	5000K	8000LM	320*86*250	1.0A	5.0kg
E	SLFLF100	100-240V AC		100W	5000K	10000LM	320*86*250	1.5A	5.4kg
F	SLFLF150	100-240V AC		150W	5000K	15000LM	320*86*250	1.7A	5.4kg
G	SLFLF220	100-240V AC		220W	5000K	22000LM	320*86*250	2.85A	9.5kg
H	SLFLF300	100-240V AC		300W	5000K	30000LM	320*86*250	4.0A	10.5kg

APPLICATION ITEMS



1. Introduction

- This LED Flood light uses the latest in solid state lighting technology for long life, low maintenance, and high efficiency.
- An internal power-factor-corrected switch-mode supply allows it to be used from any nominal 100-240V, 50/60Hz AC supply without any variation in light output.-
- Suitable for use in the following locations:
 - Ambient Temp: -40~+40°C
- **Light Source Maintenance:** The light source of this luminaire is **not replaceable**; in case the light source need to be replaced (e.g. at the end of its life), the whole luminaire shall be replaced.

Note: Keep these instructions for future reference.

1. Installation

Warning:

To avoid the risk of fire, explosion, or electric shock, this product should be installed, inspected, and maintained by a skilled electrician only, in accordance with all applicable electrical codes.

Warning:

To avoid electric shock:

- Be certain electrical power is OFF before and during installation and maintenance.
- Luminaire must be connected to a suitable earth.
- The external flexible cable or cord of this luminaire cannot be replaced; if the cord is damaged, the luminaire shall be immediately replaced.

Warning:

To avoid explosion:

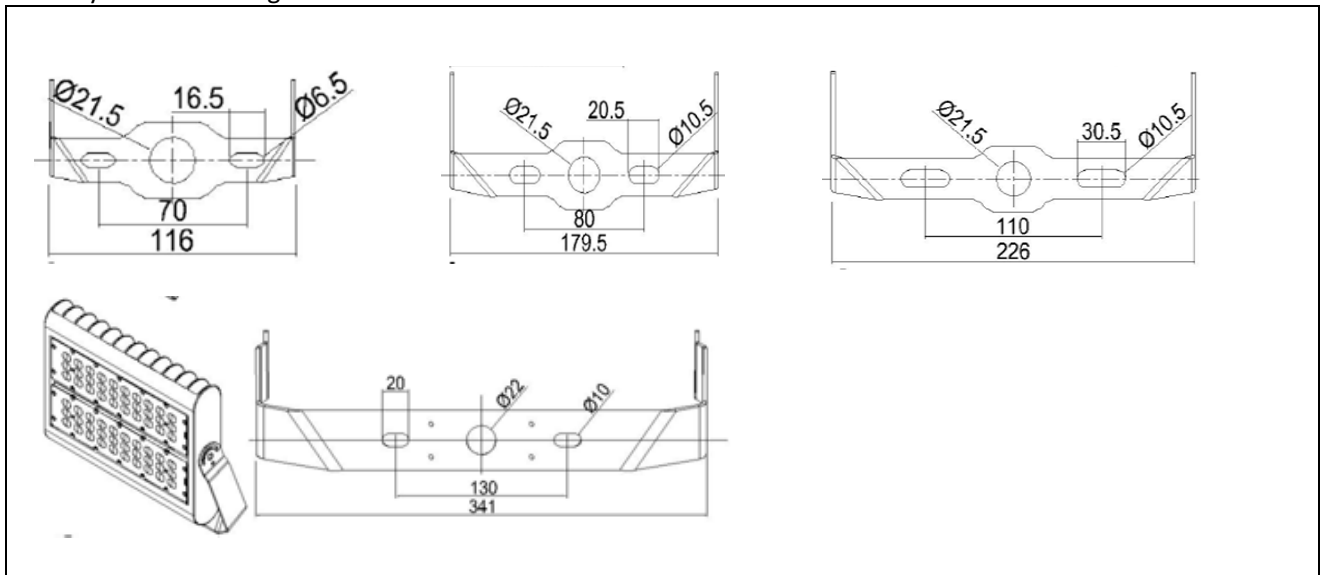
- Make sure the supply voltage is the same as the rated luminaire voltage.
- Do not operate in ambient temperatures above those indicated on the luminaire nameplate.

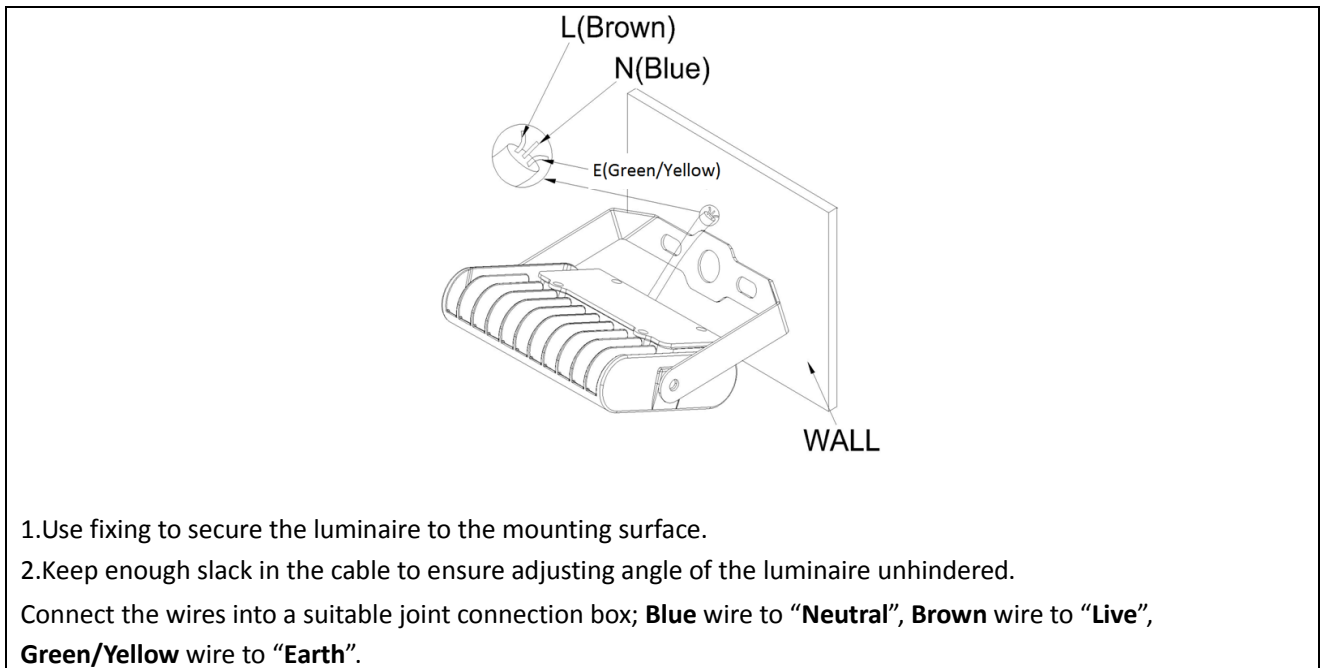
For supply connections use wire rated for at least 100°C

Installation Steps:

Refer to the following diagram when you install the fixture.

1. Directly fix to mounting surface





After installation

- Check whether the lighting fixture is firmly fixed.
- Check whether wires are connected correctly.
- Turn on the power, and check if the lighting fixture works well. If not, please turn off the power and contact your supplier.

Due to our policy of continuous improvement we reserve the right to change specification without prior notice. Errors and omissions excepted. These instructions have been carefully checked prior to publication. However, no responsibility can be accepted by Challenger for any misinterpretation of these instructions.

CHALLENGER SECURITY PRODUCTS

10 Sandersons Way,
Blackpool, FY4 4NB

Email: enquiries.challenger@adivision.co.uk

Web: www.challenger.co.uk

